

DIAGRAM NUMB.	INDEX
F01	Drawing index
F02	Electric nomenclature
F03	Diagram - Interconnections
	12/24V DC
F04	Wiring layout - Power - 12V
F05	Wiring layout - Control - 12V
F06	Wiring layout - Control - 12V
	115/230V
F07	Wiring layout - AC

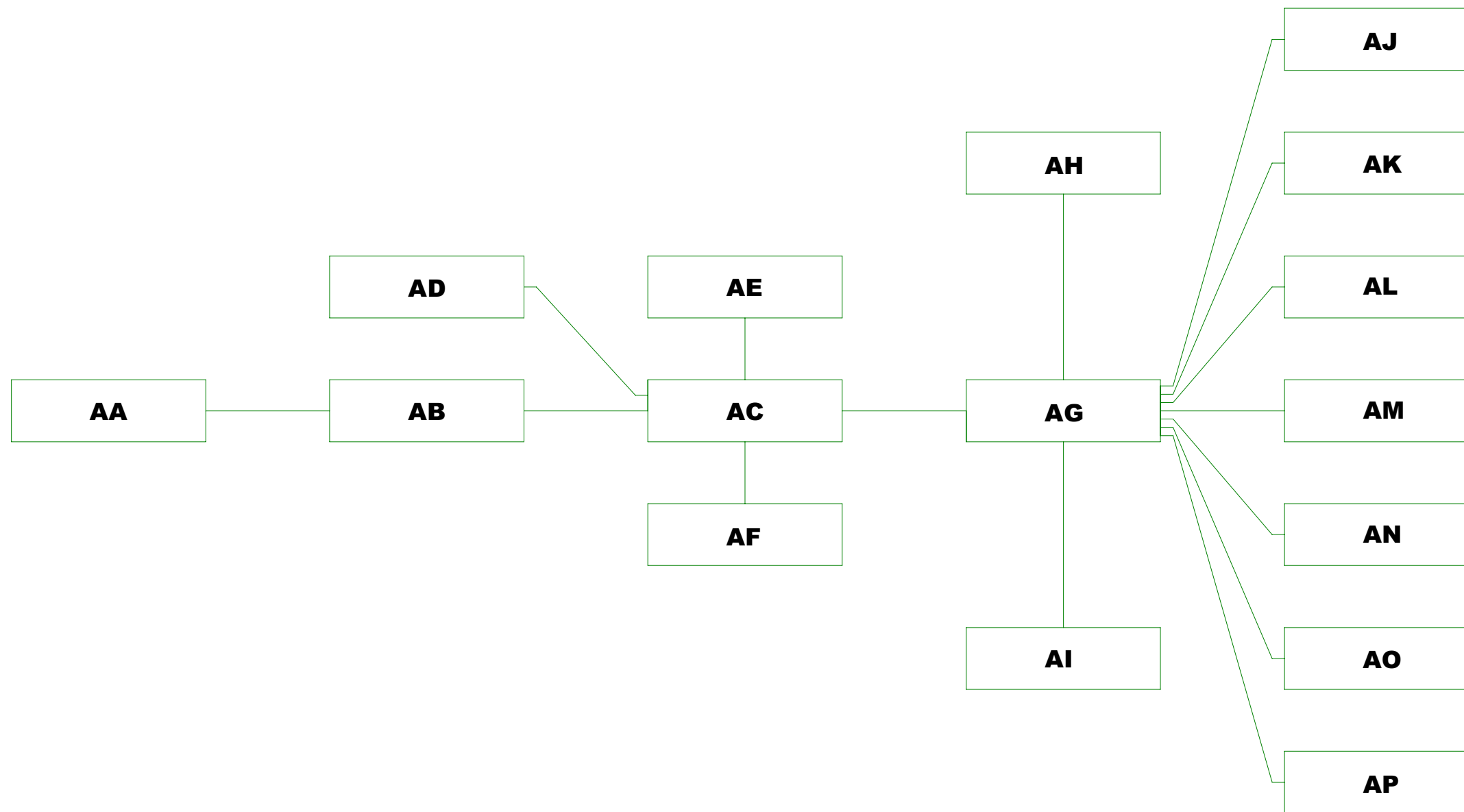


REFERENCE	WIRE	FUNCTIONS	REFERENCE	WIRE	FUNCTIONS	REFERENCE	WIRE	FUNCTIONS
n°01	BA1	Service batteries	n°77	2QE1	Enabling relay - Pressure	n°152	HF	Fuse - Radio - 10A
n°02	BA2	Optional equipment - Service batteries - additional	n°78	2QE100	Control - upward/Companionway - Keel	n°153	HF1	Radio - Chart table
n°03	BM	Engine battery	n°79	2QE2M	Electromagnetic valve - upward - Keel - electrical	n°154	HF1	Aerial - Radio
n°04	BA1	Battery switch - Service +	n°80	2QE2D	Electromagnetic valve - Companionway - Keel - electrical	n°155	HP1	Loudspeaker - Port saloon
n°05	BA1	Battery switch - Service -	n°100	AG1	Panel 'Sheiber'	n°156	HP2	Loudspeaker - Starboard saloon
n°06	BM	Engine battery switch +	n°101	T	Fuse - Test batteries - Service	n°157	HP3	Loudspeaker - Port cockpit
n°07	AG	Panel fuse - 12V	n°102	N9	Compass light	n°158	HP4	Loudspeaker - Starboard cockpit
n°08	XX	Windlass circuit breaker	n°103	N9A	Compass light	n°159	PD	Fuse - Shower pump - 10A
n°09	XX	Windlass relay	n°104	N2	Control box - burners	n°160	PD2	Switch - shower pump
n°10	XX	Windlass	n°105	XX	Mooring light	n°161	PD1	Relay box - Shower pump
n°11	REP	Power distributor	n°106	XX	Port navigation light	n°162	PD1	Shower pump
n°12	DM1	Engine starter	n°107	XX	Steaming light	n°163	SG	Fuse - Gas solenoid - 10A
n°13	AT1	Engine alternator	n°108	XX	Navigation light - aft	n°164	SG1	Switch - Gas solenoid
n°14	CH	Battery charger	n°109	XX	Starboard navigation light	n°165	SG1	Display - Fuel gauge
n°15	XX	Filler cap - Tank	n°110	N7	Deck searchlight	n°166	1L1	Reading light - Bathroom
n°16	XX	Tank	n°111	AG3	Junction - Supply - House	n°167	1L2	Overhead light - Bathroom
n°17	XX	Anode	n°112	PI1	Fuse - Auto pilot	n°168	1L3	Reading light - Starboard aft cabin
n°30	1PS3	Battery - Optional equipment - Solar panels	n°113	PI1	Relay box - Electronic	n°169	1L4	Reading light - Port aft cabin
n°31	1PS1	Fuse - Optional equipment - Solar panels	n°114	PI1	Auto-pilot calculator	n°170	1L5	Switch - Version - Aft cabin
n°32	1PS2	Battery switch - Solar panels	n°115	AN3	Electronics supply - Depth sounder	n°171	1L5	Garland - Version - Port aft cabin
n°33	2PS1	Box - Solar panels	n°116	AN4	Electronics supply - WIFI -Chart table	n°172	1L6	Lighting - Version - Large - Bathroom
n°34	2PS1	Solar panels	n°117	AN5	Electronics supply - Steering wheel - Port side	n°173	2L1	Switch - Deck light
n°50	PQ1	Shore power socket	n°118	AN6	Electronics supply - Steering wheel - Starboard	n°174	2L1	Garland - Deck light - Starboard
n°51	PQ1	Shore power supply circuit breaker	n°119	QE	Keel - electrical	n°175	2L2	Garland - Deck light - Starboard
n°52	PAC10	Differential circuit breaker - Version: 115V	n°120	RP	Control - Junction - House	n°176	2L3	Garland - Deck light - Port side
n°53	PAC11	Socket - chart table	n°121	APC1	Box - Engine	n°177	2L4	Garland - Deck light - Port side
n°54	PAC12	Fore cabin socket	n°122	VM	Fuse - Box - Engine	n°178	2L5	Overhead light - Pillar - Deck - Starboard
n°55	PAC13	Socket - port aft cabin	n°123	V	Fuse - Optional equipment - Ventilator	n°179	2L6	Overhead light - Pillar - Deck - Starboard
n°56	PAC15	Socket - starboard aft cabin	n°124	V1	Ventilator - Saloon - Port forward	n°180	2L2	Kitchen lighting
n°57	PAC16	Socket - galley	n°125	V2	Ventilator - Cabin - Port forward	n°181	2L3	Switch - Garland - Version - Starboard aft cabin
n°58	PACMO	Socket for micro-wave oven	n°126	V3	Ventilator - Saloon - Starboard	n°182	2L3	Garland - Version - Starboard aft cabin
n°59	CH	Water heater	n°127	V4	Ventilator - Cabin - Starboard aft	n°183	3L1	Chart table lighting
n°70	QE	Breaker - Keel - electrical - 200A	n°128	V5	Ventilator - Version - Cabin - Port aft	n°184	3L3	Reading light - Port forward cabin
n°71	QE	Safety fuse - Control - Keel - electrical	n°129	JC	Fuse - Gauge	n°185	3L2	Switch - Garland
n°72	1QE	Control relay - Keel - electrical	n°130	JC1	Switch - Fuel gauge	n°186	3L2	Garland - Port aft cabin
n°73	QE	Relay box - Hydraulic pump	n°131	JC1	Display - Fuel gauge	n°187	3L4	Garland - Forward cabin
n°74	QE	Keel - electrical	n°132	JC	Fuse - Sensor - Fuel	n°188	PC	Refrigeration unit - Galley
n°75	2QE	Relay box - APC	n°133	JC	Sensor - Fuel	n°189	GE	Water unit
n°76	2QE2	Pickups - Pressure	n°150	VHF	Fuse - VHF - 10A	n°190	AUX	Supply - Auxiliary & Electronic
			n°151	VHF1	Radio - VHF	n°191	R	Refrigeration unit - Galley



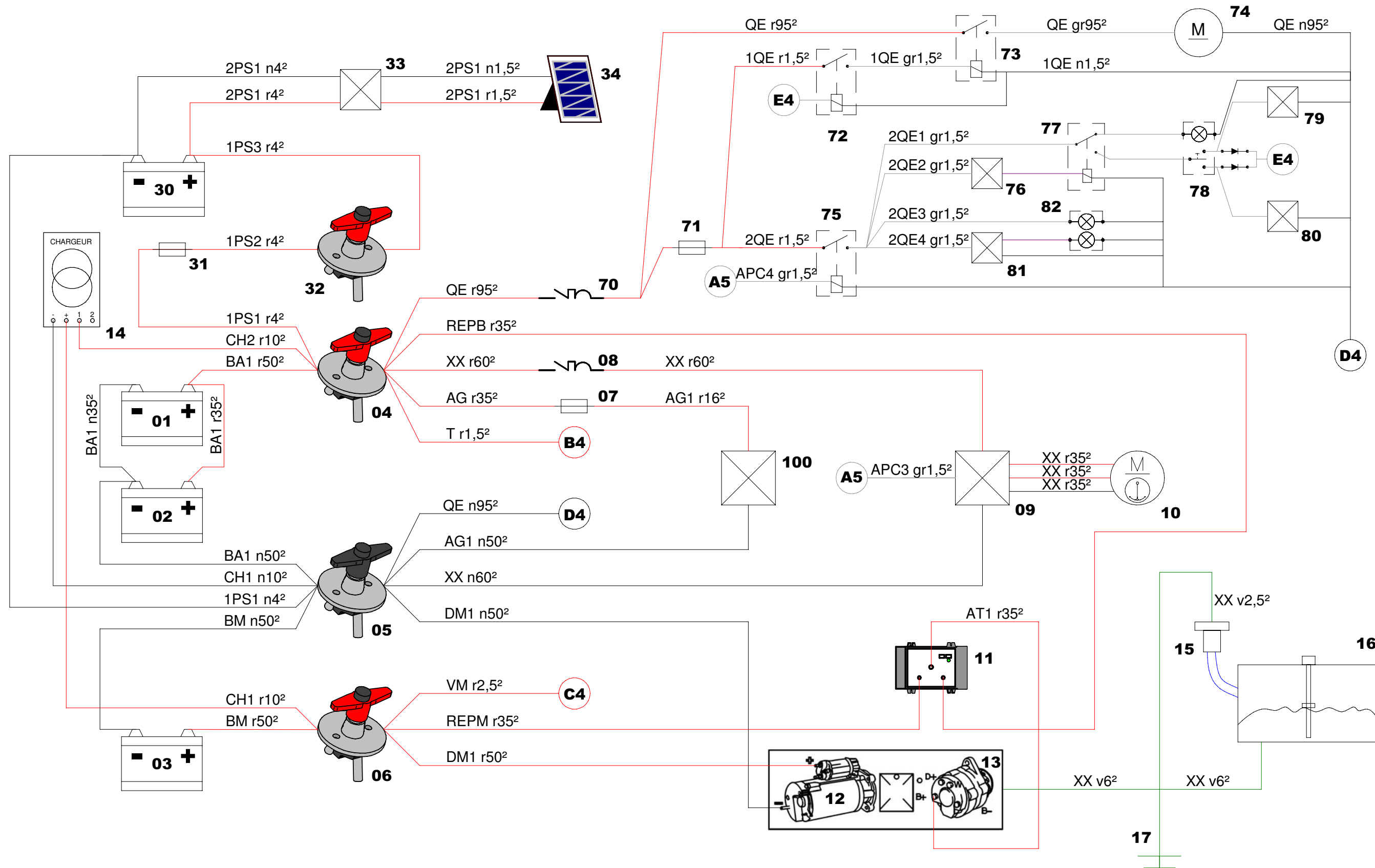


DIAGRAM - INTERCONNECTIONS



REFERENCE	DESIGNATION	REFERENCE	DESIGNATION
AA	Connection - Shore	AI	Module - 12V
AB	Hull harness - 230V	AJ	Optional equipment - VHF
AC	Harness - Engine	AK	Optional equipment - Hifi
AD	Optional equipment - Charger	AL	Optional equipment - Pillar
AE	Optional equipment - Windlass	AM	Optional equipment - Gas solenoid
AF	Optional equipment - Spare battery	AN	Optional equipment - Ventilator
AG	Hull harness - 12V	AO	Version - Large - Bathroom
AH	Optional equipment - Electronic	AP	Version - - small Bathroom

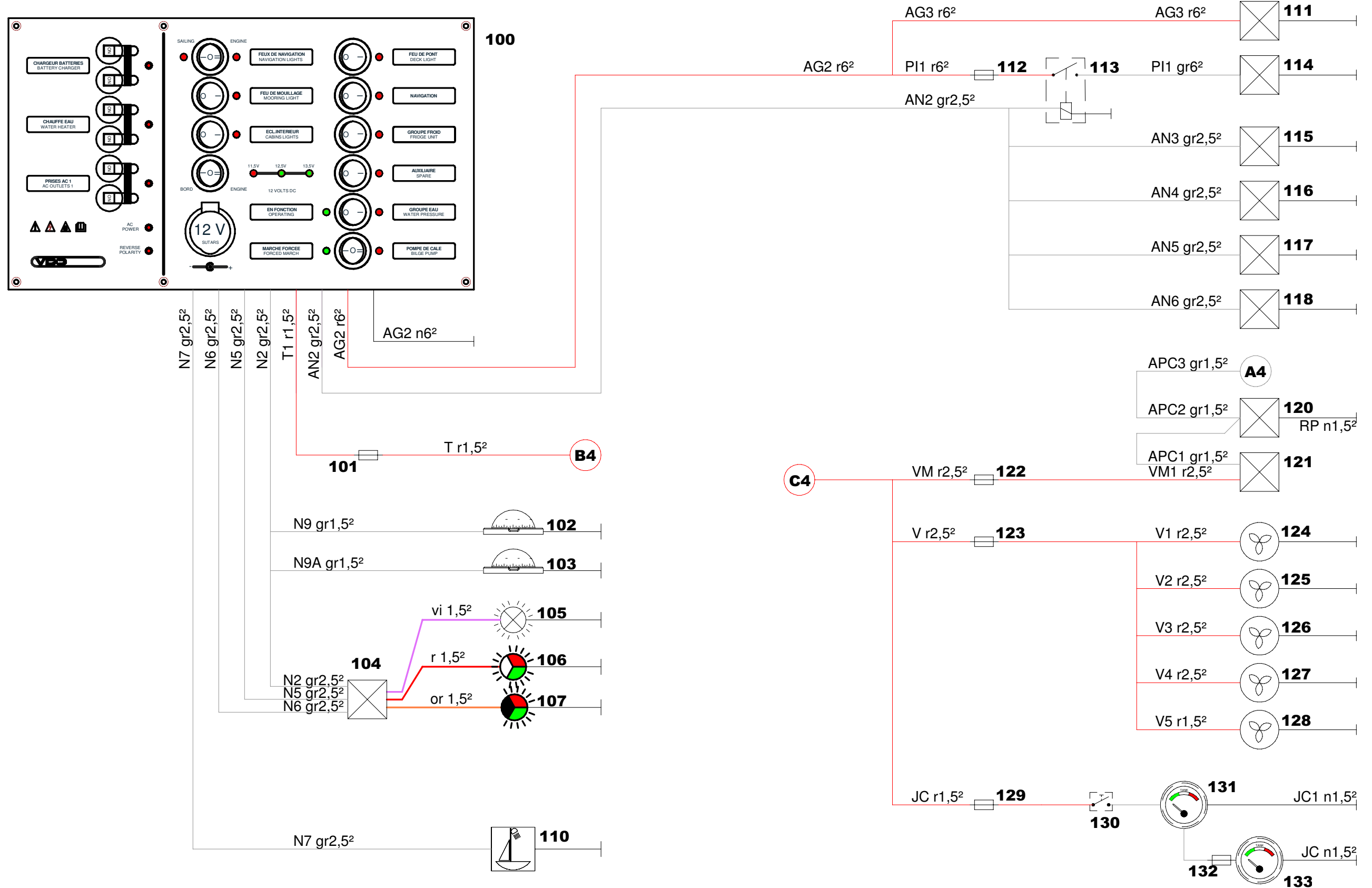




## ELECTRIC NOMENCLATURE - POWER - 12V

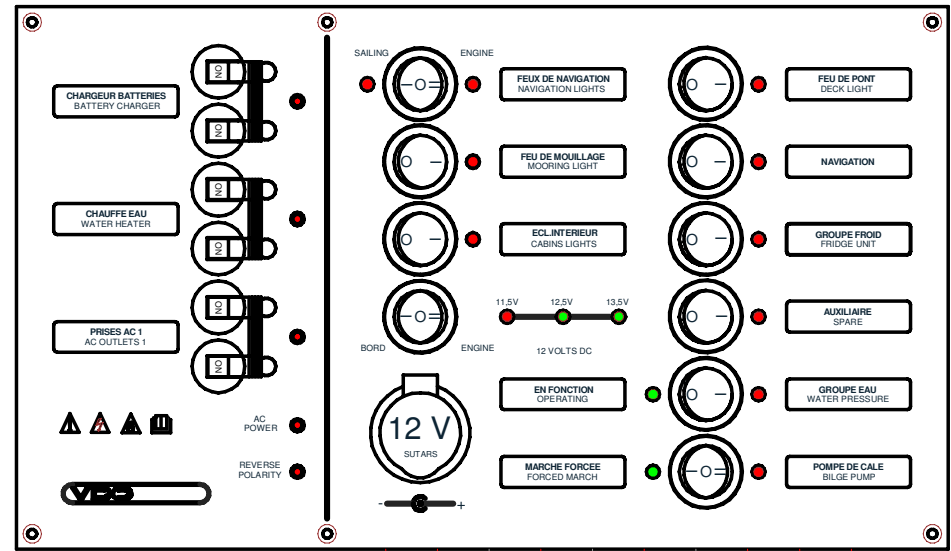
REFERENCE	WIRE	FUNCTIONS
n°01	BA1	Service batteries
n°02	BA2	Optional equipment - Service batteries - additional
n°03	BM	Engine battery
n°04	BA1	Battery switch - Service +
n°05	BA1	Battery switch - Service -
n°06	BM	Engine battery switch +
n°07	AG	Panel fuse - 12V
n°08	XX	Windlass circuit breaker
n°09	XX	Windlass relay
n°10	XX	Windlass
n°11	REP	Power distributor
n°12	DM1	Engine starter
n°13	AT1	Engine alternator
n°14	CH	Battery charger
n°15	XX	Filler cap - Tank
n°16	XX	Tank
n°17	XX	Anode
n°30	1PS3	Battery - Optional equipment - Solar panels
n°31	1PS1	Fuse - Optional equipment - Solar panels
n°32	1PS2	Battery switch - Solar panels
n°33	2PS1	Box - Solar panels
n°34	2PS1	Solar panels
n°70	QE	Breaker - Keel - electrical - 200A
n°71	QE	Safety fuse - Control - Keel - electrical
n°72	1QE	Control relay - Keel - electrical
n°73	QE	Relay box - Hydraulic pump
n°74	QE	Keel - electrical
n°75	2QE	Relay box - APC
n°76	2QE2	Pickups - Pressure
n°77	2QE1	Enabling relay - Pressure
n°78	2QE100	Control - upward/Companionway - Keel
n°79	2QE2M	Electromagnetic valve - upward - Keel - electrical
n°80	2QE2D	Electromagnetic valve - Companionway - Keel - electrical



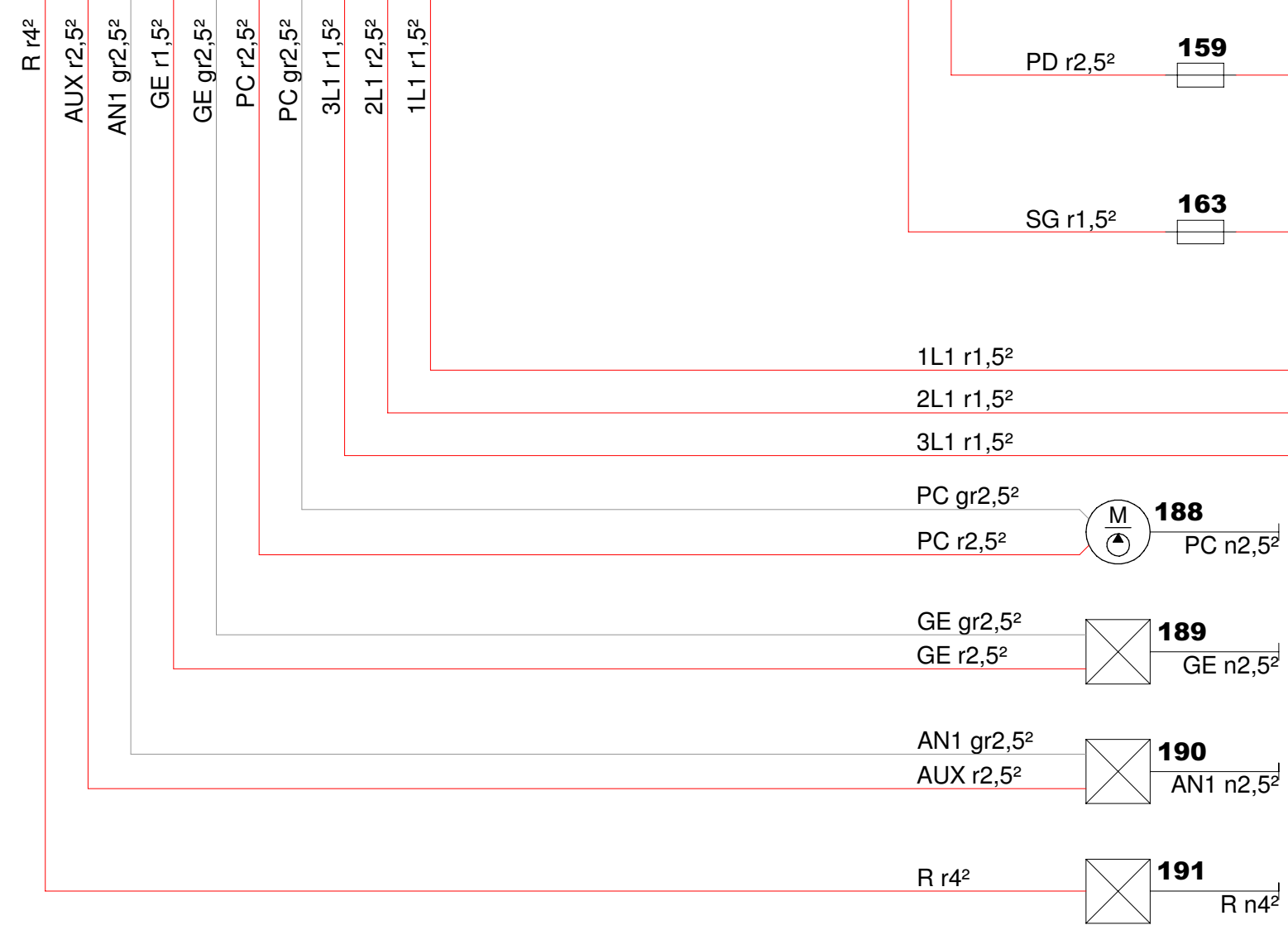
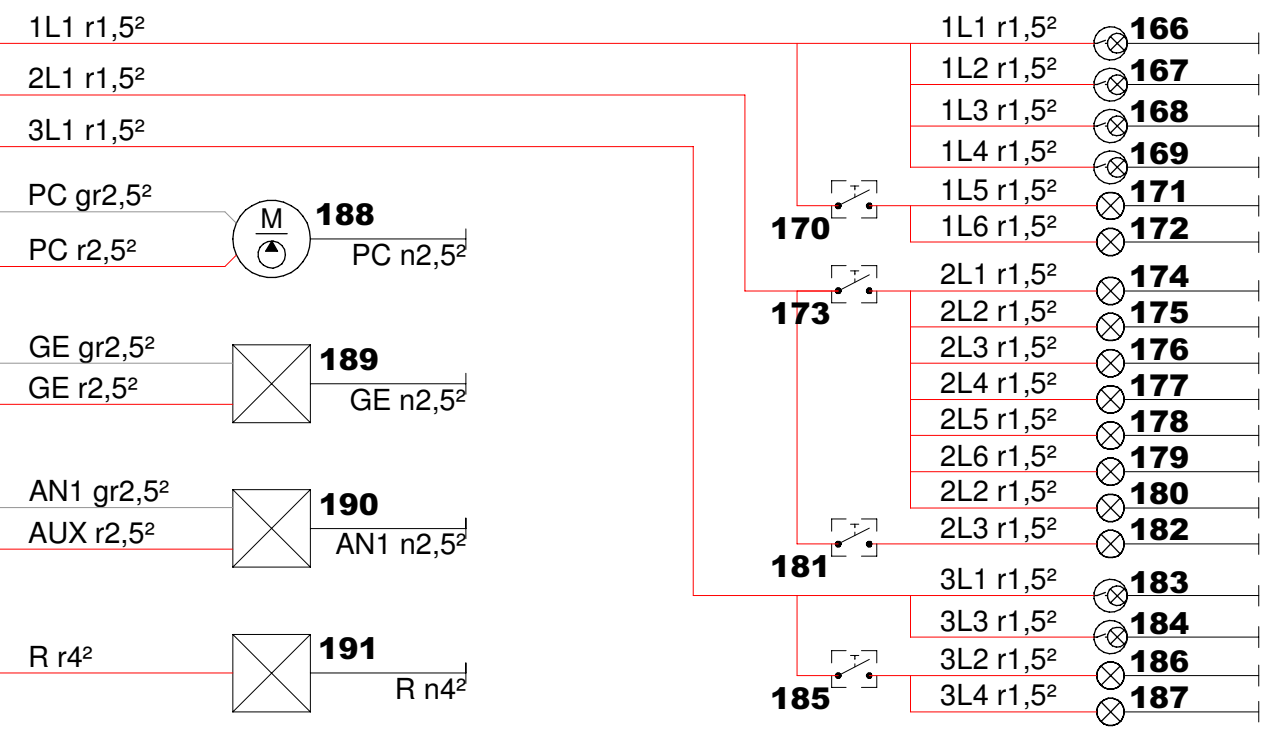
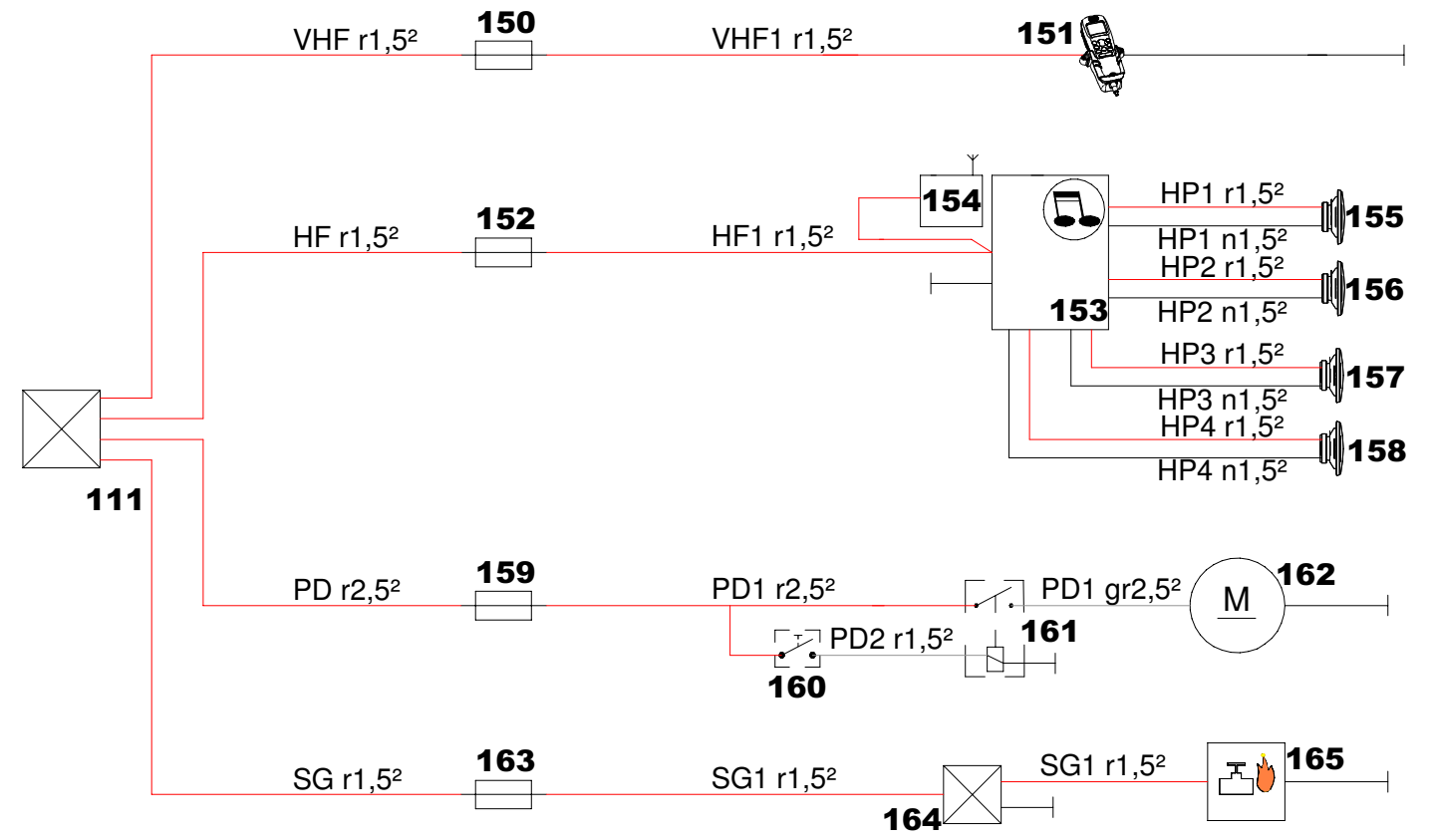


## ELECTRIC NOMENCLATURE - CONTROL - 12V

REFERENCE	WIRE	FUNCTIONS
n°100	AG1	Panel 'Sheiber'
n°101	T	Fuse - Test batteries - Service
n°102	N9	Compass light
n°103	N9A	Compass light
n°104	N2	Control box - burners
n°105	XX	Mooring light
n°106	XX	Port navigation light
n°107	XX	Steaming light
n°110	N7	Deck searchlight
n°111	AG3	Junction - Supply - House
n°112	PI1	Fuse - Auto pilot
n°113	PI1	Relay box - Electronic
n°114	PI1	Auto-pilot calculator
n°115	AN3	Electronics supply - Depth sounder
n°116	AN4	Electronics supply - WIFI -Chart table
n°117	AN5	Electronics supply - Steering wheel - Port side
n°118	AN6	Electronics supply - Steering wheel - Starboard
n°119	QE	Keel - electrical
n°120	RP	Control - Junction - House
n°121	APC1	Box - Engine
n°122	VM	Fuse - Box - Engine
n°123	V	Fuse - Optional equipment - Ventilator
n°124	V1	Ventilator - Saloon - Port forward
n°125	V2	Ventilator - Cabin - Port forward
n°126	V3	Ventilator - Saloon - Starboard
n°127	V4	Ventilator - Cabin - Starboard aft
n°128	V5	Ventilator - Version - Cabin - Port aft
n°129	JC	Fuse - Gauge
n°130	JC1	Switch - Fuel gauge
n°131	JC1	Display - Fuel gauge
n°132	JC	Fuse - Sensor - Fuel
n°133	JC	Sensor - Fuel

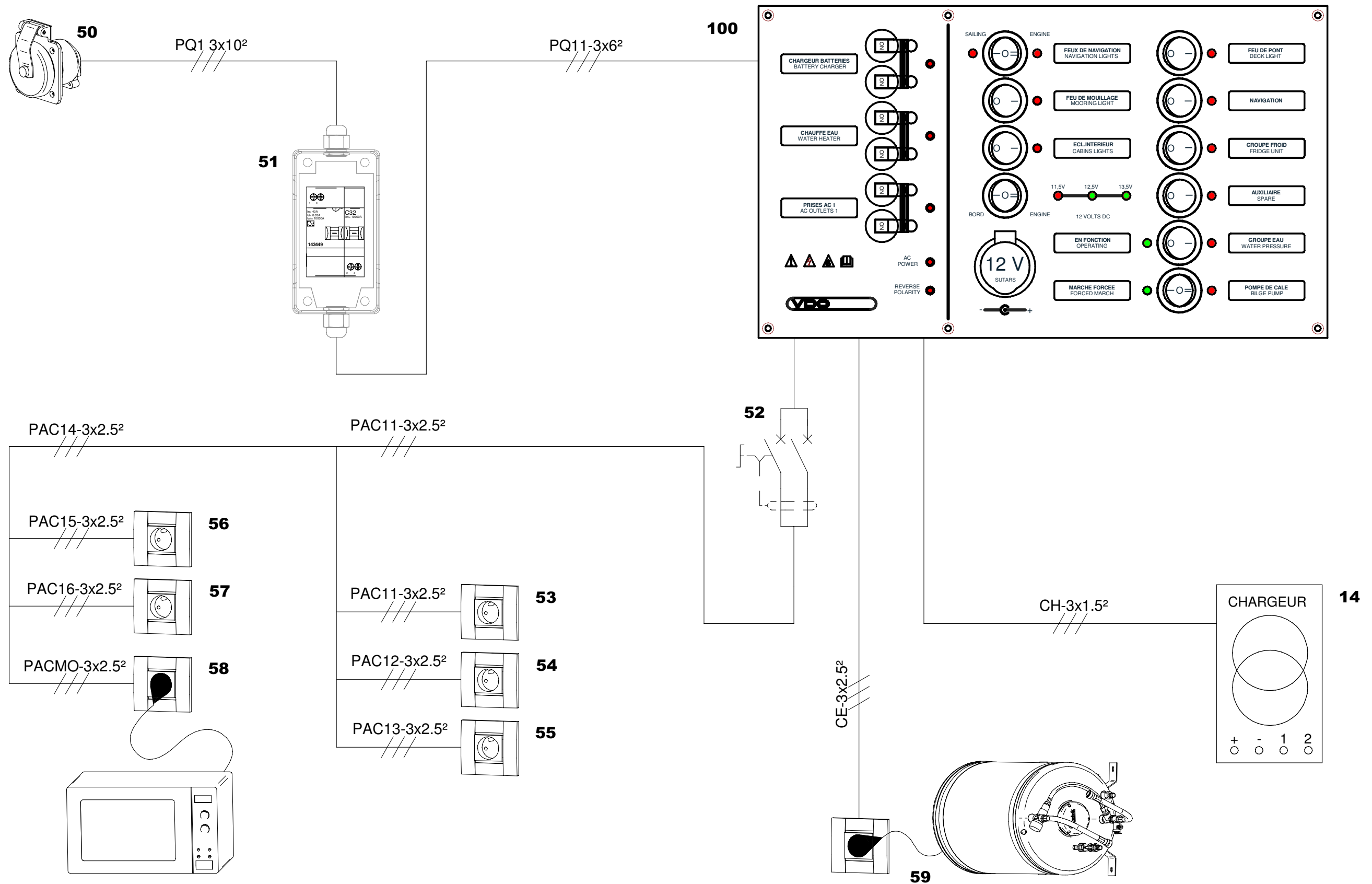


R r4<sup>2</sup>  
 AUX r2,5<sup>2</sup>  
 AN1 gr2,5<sup>2</sup>  
 GE r1,5<sup>2</sup>  
 GE gr2,5<sup>2</sup>  
 PC r2,5<sup>2</sup>  
 PC gr2,5<sup>2</sup>  
 3L1 r1,5<sup>2</sup>  
 2L1 r2,5<sup>2</sup>  
 1L1 r1,5<sup>2</sup>



## ELECTRIC NOMENCLATURE - CONTROL - 12V

REFERENCE	WIRE	FUNCTIONS
n°100	AG1	Panel 'Sheiber'
n°111	AG3	Junction - Supply - House
n°150	VHF	Fuse - VHF - 10A
n°151	VHF1	Radio - VHF
n°152	HF	Fuse - Radio - 10A
n°153	HF1	Radio - Chart table
n°154	HF1	Aerial - Radio
n°155	HP1	Loudspeaker - Port saloon
n°156	HP2	Loudspeaker - Starboard saloon
n°157	HP3	Loudspeaker - Port cockpit
n°158	HP4	Loudspeaker - Starboard cockpit
n°159	PD	Fuse - Shower pump - 10A
n°160	PD2	Switch - shower pump
n°161	PD1	Relay box - Shower pump
n°162	PD1	Shower pump
n°163	SG	Fuse - Gas solenoid - 10A
n°164	SG1	Switch - Gas solenoid
n°165	SG1	Display - Fuel gauge
n°166	1L1	Reading light - Bathroom
n°167	1L2	Overhead light - Bathroom
n°168	1L3	Reading light - Starboard aft cabin
n°169	1L4	Reading light - Port aft cabin
n°170	1L5	Switch - Version - Aft cabin
n°171	1L5	Garland - Version - Port aft cabin
n°172	1L6	Lighting - Version - Large - Bathroom
n°173	2L1	Switch - Deck light
n°174	2L1	Garland - Deck light - Starboard
n°175	2L2	Garland - Deck light - Starboard
n°176	2L3	Garland - Deck light - Port side
n°177	2L4	Garland - Deck light - Port side
n°178	2L5	Overhead light - Pillar - Deck - Starboard
n°179	2L6	Overhead light - Pillar - Deck - Starboard
n°180	2L2	Kitchen lighting
n°181	2L3	Switch - Garland - Version - Starboard aft cabin
n°182	2L3	Garland - Version - Starboard aft cabin
n°183	3L1	Chart table lighting
n°184	3L3	Reading light - Port forward cabin
n°185	3L2	Switch - Garland
n°186	3L2	Garland - Port aft cabin
n°187	3L4	Garland - Forward cabin
n°188	PC	Refrigeration unit - Galley
n°189	GE	Water unit
n°190	AUX	Supply - Auxiliary & Electronic
n°191	R	Refrigeration unit - Galley



## ELECTRIC NOMENCLATURE - AC

REFERENCE	WIRE	FUNCTIONS
n°14	CH	Battery charger
n°50	PQ1	Shore power socket
n°51	PQ1	Shore power supply circuit breaker
n°52	PAC10	Differential circuit breaker - Version: 115V
n°53	PAC11	Socket - chart table
n°54	PAC12	Fore cabin socket
n°55	PAC13	Socket - port aft cabin
n°56	PAC15	Socket - starboard aft cabin
n°57	PAC16	Socket - galley
n°58	PACMO	Socket for micro-wave oven
n°59	CH	Water heater
n°100	AG1	Panel 'Sheiber'