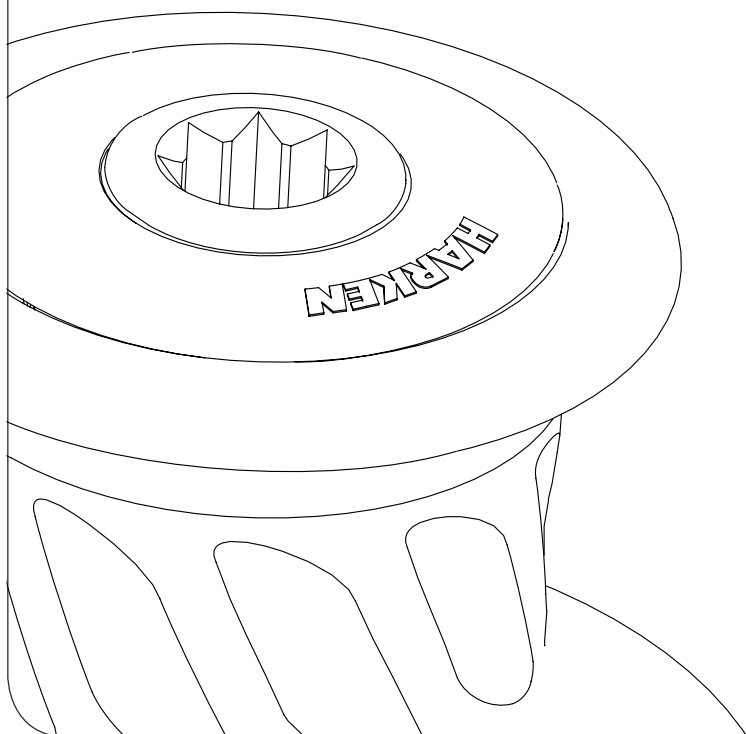


# Installation and Maintenance Manual

MRW-01

## Radial Winch 35.2 PT



**HARKEN**<sup>®</sup>

<b>Introduction</b>	3
<b>Technical characteristics</b>	3
<i>Weight</i>	3
<i>Maximum working load</i>	3
<b>Outline</b>	3
<b>Installation</b>	4
<i>Procedure 1</i>	5
<i>Procedure 2</i>	6
<i>Installation procedure</i>	7
<b>Maintenance</b>	8
<i>Washing</i>	8
<i>Maintenance table</i>	8
<i>Disassembly procedure</i>	9
<i>Exploded view with maintenance products</i>	12
<i>Assembly</i>	13
<b>Harken® limited worldwide warranty</b>	13
<b>Ordering spare parts</b>	13
<b>Exploded view</b>	15
<b>Parts list</b>	17
<i>Radial Winch 35.2 PTA</i>	17

## Introduction

This manual gives technical information on winch installation and maintenance, including disassembling and reassembling.

This information is DESTINED EXCLUSIVELY for specialised personnel or expert users.

Installation, disassembling and reassembling of the winch by personnel who are not experts may cause serious damage to users and those in the vicinity of the winch.

Harken® accepts no responsibility for defective installation or reassembly of its winches.

In case of doubt the Harken® Tech Service is at your disposal at [techservice@harken.it](mailto:techservice@harken.it)

This Manual is available only in English. If you do not fully understand the English language, do not carry out the operations described in this Manual.

## Technical characteristics

	Power ratio	Gear ratio
1st speed	13,50 : 1	2,13 : 1
2nd speed	35,90 : 1	5,65 : 1

*The theoretical power ratio does not take friction into account.*

### Weights

	ST A version
Weight (Kg)	3,1

Versions:

A = drum in anodised aluminium

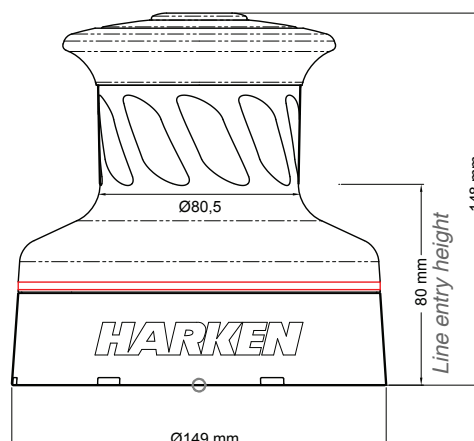
### Maximum working load



#### **WARNING!**

The maximum working load (MWL) for the 35.2 PT Radial Winch is 650 Kg (1433 lb). Subjecting the winch to loads above the maximum working load can cause the winch to fail or pull off the deck suddenly and unexpectedly during high loads causing severe injury or death.

## Outline



## Installation

The winch must be installed on a flat area of the deck, reinforced if necessary to bear a load equal to at least twice the maximum working load of the winch.

It is the installer's responsibility to carry out all structural tests needed to ensure that the deck can bear the load.

Harken® does not supply the screws needed to install the winch since these may vary depending on the deck on which it is to be installed. It is the installer's responsibility to choose the correct screws taking account of the loads they will have to bear. Harken® assumes no responsibility for incorrect installation of its winches or for an incorrect choice of mounting screws.



### DANGER!

Incorrect installation of the winch may cause severe injury or death. Consult the yard that built the boat in the case of doubt over the correct positioning of the winch.



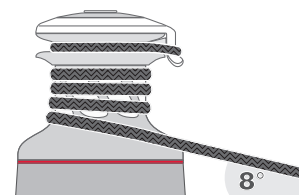
### WARNING!

Failure to use the correct number and type of mounting fasteners or failure to ensure the correct deck strength can result in the winch pulling off the deck suddenly and unexpectedly during high loads causing severe injury or death.



### WARNING!

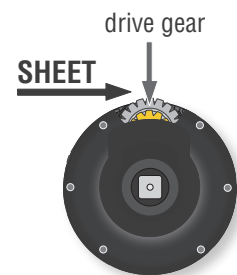
Verify the entry angle of the sheet. This must be  $8^\circ$  with tolerance of  $\pm 2^\circ$ , to avoid sheet overrides and damaging the winch or making the winch inoperable leading to loss of control of the boat which can lead to severe injury or death.



### WARNING!

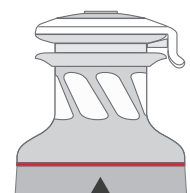
Mount the winch on the deck so that the drive gear is positioned where the sheet enters the winch drum.

Incorrect position of drive gear can weaken winch leading to failure which can cause an accident leading to severe injury or death.



### NOTICE

You can find the icon ▲ on the skirt to identify the drive gear position.



Once you have chosen the correct mounting position for the winch on the deck proceed with installation.

The winch can be installed following one of the two procedures below (**Procedure 1** or **Procedure 2**):


### Procedure 1

To install the winch you must remove the drum and use Socket Head (SH) bolts.

Tools needed

 One medium flat-bladed screwdriver

To identify the various parts, refer to the exploded view at the end of this Manual.

 Torque to apply when assembling



1. Unscrew the central screw ( $\approx 2\text{Nm}/18\text{ in-lb}$ )



2. Slide off the hub n°30 and the cover n°27



3. Lift off the drum n°22

Install the winch on the deck in the position you have chosen, keeping in mind the limits described on page 4 and using socket head (SH) bolts. (See paragraph on installation)

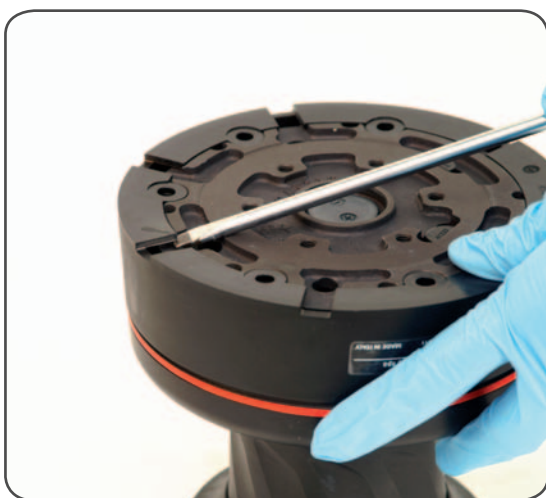
### Procedure 2


To install, you must remove the winch skirt and use hexagonal headed bolts.

#### Tools needed

 One medium flat-bladed screwdriver

To identify the various parts, refer to the exploded view at the end of this Manual.



1. Remove the skirt n°2 with the help of the screwdriver placed as shown by the symbol 



2. Take off the skirt n°2



3. Position the 5 M6 hexagonal headed bolts in their holes





4. Reposition the skirt n°2 in its housing



5. Press down the skirt to position it correctly

**NOTICE**

Make sure the skirt is correctly clipped on to the base of the winch.

Install the winch on the deck in the position you have chosen, keeping in mind the limits described on page 4 and using hexagonal headed bolts. (See paragraph on installation)

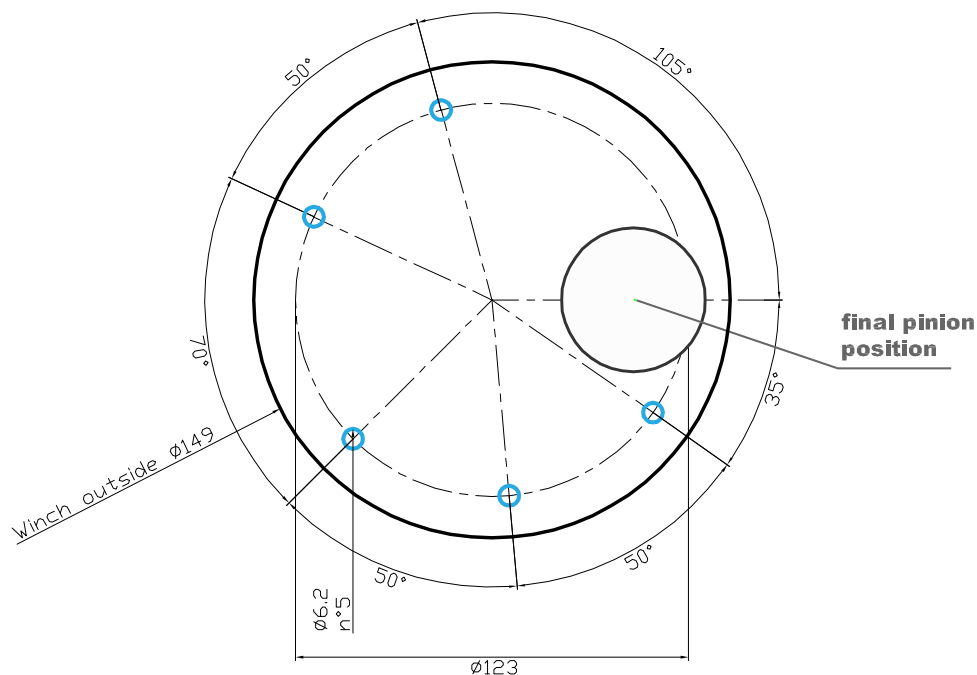
**Installation procedure**

Carry out **Procedure 1** or **Procedure 2**, then install the winch on the deck in the chosen position.

- A.** Position the base of the winch on the deck and mark the position of the holes or use the drilling cut-out template at the point where you have decided to place the winch.

Below is a reduced scale diagram.

The drilling cut out template is available on the Harken® website, [www.harken.com](http://www.harken.com)



- B. Remove the winch and drill the five 6.2 mm diameter holes.
- C. Bolt the base of the winch to the deck using five M6 Socket Head (SH) bolts for Procedure 1 or five hexagonal headed M6 bolts for Procedure 2 (neither is supplied by Harken®), correctly chosen for the thickness and type of the boat deck. Consult the yard that built the boat in case of doubt.



### WARNING!

To install the winch on the deck, use only bolts in A4 stainless steel (DIN 267 part11). Bolts made of other materials may not have sufficient strength or may corrode which can result in winch pulling off deck suddenly and unexpectedly during high loads causing severe injury or death.

### NOTICE

To mount winches on the deck, do not use countersunk bolts.

- D. Fill the mounting holes with a suitable marine sealant.
- E. Remove the excess adhesive/sealant from the holes and base drainage channels
- F. Reassemble the winch following the steps in **Procedure 1** or **Procedure 2** in the reverse order, and apply the products indicated in the section on maintenance.

### NOTICE

Before closing the winch, make sure the holes and drainage channels in the base of the winch are not obstructed.

## Maintenance

---

### Washing

Winches must be washed frequently with fresh water, and in any case after each use. Do not allow teak cleaning products or other cleaners containing caustic solutions to come into contact with winches and especially anodised, chrome plated or plastic parts. Do not use solvents, polishes or abrasive pastes on the logos or stickers on the winches. Make sure that the holes and drainage channels in the base of the winch are not obstructed so that water does not collect.

### Maintenance table

Winches must be visually inspected at the beginning and end of every season of sailing or racing. In addition they must be completely overhauled, cleaned and lubricated at least every 12 months. After an inspection, replace worn or damaged components. Do not replace or modify any part of the winch with a part that is not original.







**WARNING!**

Periodic maintenance must be carried out regularly. Lack of adequate maintenance shortens the life of the winch, can cause serious injury and also invalidate the winch warranty. Installation and maintenance of winches must be carried out exclusively by specialized personnel.

In the case of doubt contact Harken® Tech Service at [techservice@harken.it](mailto:techservice@harken.it)

Disassembly procedure

*Tools needed*

-  One medium flat-bladed screwdriver
-  A number five hex key
- Rags

To identify the various parts refer to the exploded view at the end of this Manual.

 Torque to be applied in assembly phase

Carry out **Procedure 1** as shown in the paragraph on winch installation and then do the following:



4. Completely unscrew the three screws n° 29




5. Remove the socket support n°21



6. Slide out the central shaft n°19



7. Unscrew the 6 hex screws n°16  
( 8Nm/71 in-lb)



8. Remove the drum support n°15  
Important: washer n°12 may remain  
inside the drum support!



9. Remove the washer n°12



10. Remove the gearing n°7 and remove the  
pawls n°4. To facilitate the operation press  
the spring against the pawl with a blade.



11. Slide off gear n°3



12. Slide off gear n°14



13. Slide off gear n°10



14. Remove the pawls n°5. To facilitate the operation press the spring against the pawl with a blade.



15. Remove washer n°9

---

Once the winch is completely disassembled, clean the parts: use a basin of diesel oil to soak metal components and rinse plastic parts in fresh water. Once you have done this, dry the parts with cloths that do not leave residue.

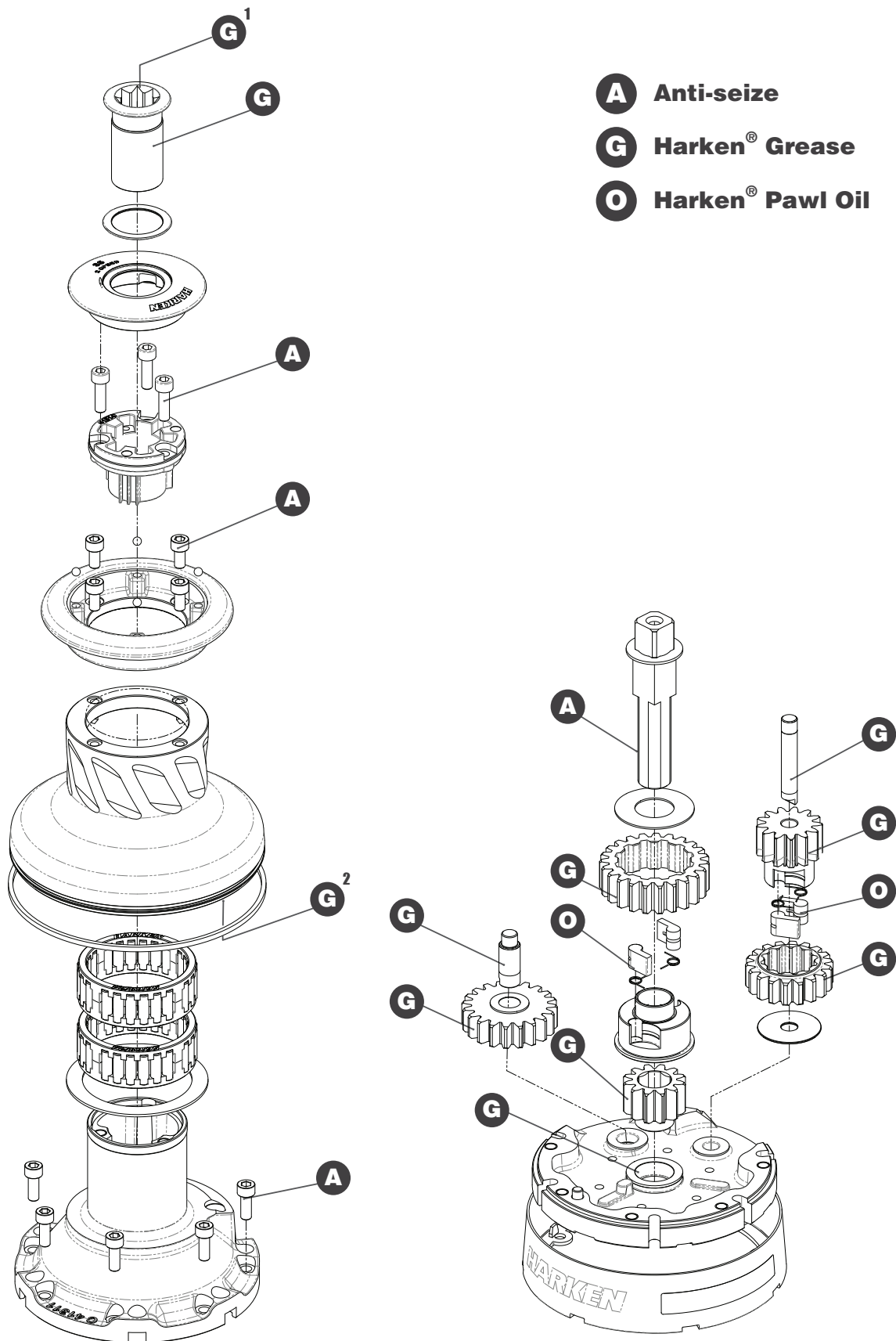
Inspect gears, bearings, pins and pawls for any signs of wear or corrosion.

Carefully check the teeth of gears and ring gears to make sure there are no traces of wear.

Check the roller bearings and check there are no breaks in the bearing cages.  
Replace worn or damaged components.

Carry out maintenance on components using the products listed below.  
For more information on which products to use where, refer to the exploded diagram below.

Use a brush to lightly lubricate all gears, gear pins, teeth and all moving parts with grease.  
Lightly lubricate the pawls and springs with oil. Do not use grease on the pawls!

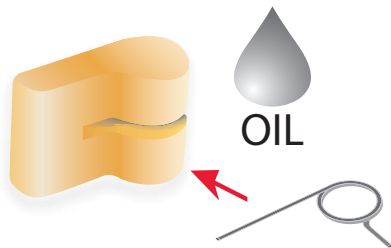
Exploded view with maintenance products

<sup>1</sup>Apply Harken® grease on assy socket screw  
<sup>2</sup>Apply Harken® grease on drum gear

Assembly

Make sure that the holes and drainage channels in the base of the winch are not obstructed  
 Assemble the winch in the reverse order of the sequence in the section on disassembly.

To tighten bolts, use the torque indicated in the disassembly procedure.



**To assemble the pawls:**

correctly position the spring in its housing as shown at left. Hold the spring closed and slide the pawl into its housing. Once in position, check that the pawls can be easily opened and closed with a finger.

In case of doubt concerning the assembly procedure contact Harken® Tech Service: [techservice@harken.it](mailto:techservice@harken.it)

**Harken® limited worldwide warranty**

Refer to the Harken® Limited Worldwide Warranty in the Harken® Catalogue and on the website [www.harken.com](http://www.harken.com)

**Ordering spare parts**

Spare parts can be requested from Harken® as described in the Harken® Limited Worldwide Warranty, indicating the part number in the Parts List and including the serial number of the winch for which the parts are required.

**The serial number of the winch is printed on a plate on the drum support of the winch.**



**Manufacturer*****Harken® Italy S.p.A.***

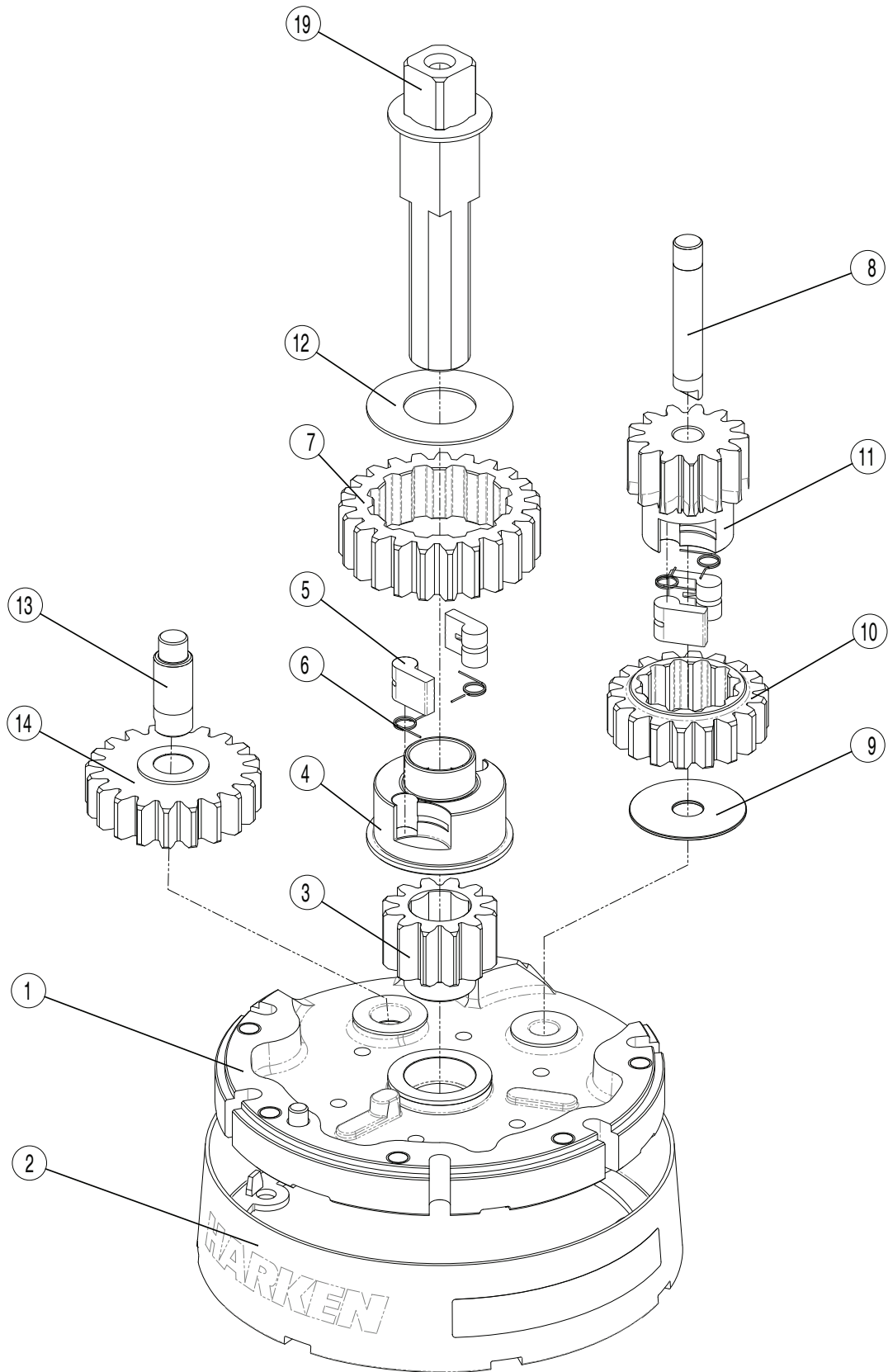
Via Marco Biagi, 14  
22070 Limido Comasco (CO) Italy  
Tel: (+39) 031.3523511  
Fax: (+39) 031.3520031  
Email: [info@harken.it](mailto:info@harken.it)  
Web: [www.harken.com](http://www.harken.com)

- **Tech Service**  
Email: [techservice@harken.it](mailto:techservice@harken.it)
- **Customer Service**  
Tel: (+39) 031.3523511  
Email: [info@harken.it](mailto:info@harken.it)

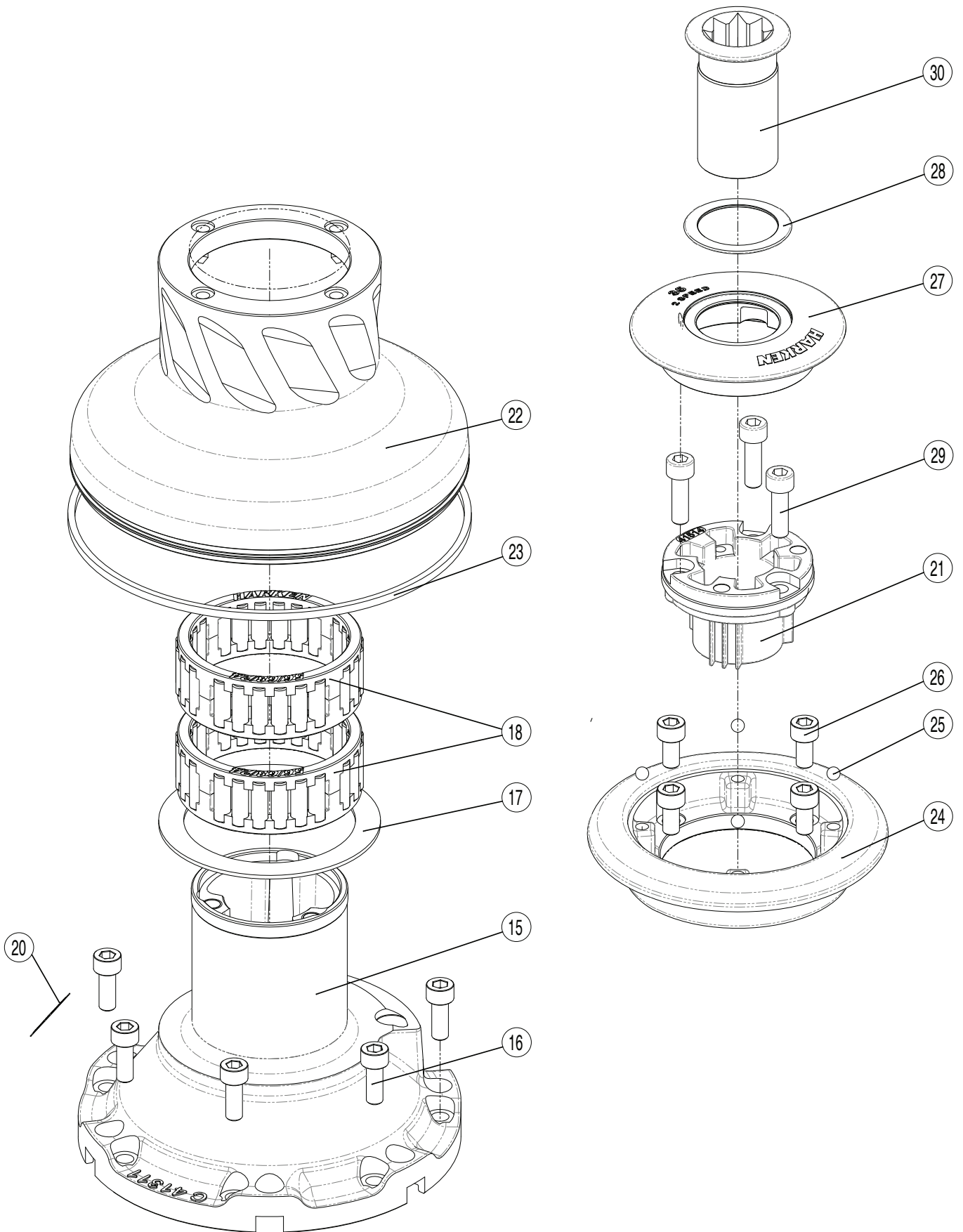
**Headquarters*****Harken®, Inc.***

1251 East Wisconsin Avenue  
Pewaukee, Wisconsin 53072-3755 USA  
Tel: (262) 691.3320  
Fax: (262) 691.3008  
Email: [harken@harken.com](mailto:harken@harken.com)  
Web: [www.harken.com](http://www.harken.com)

- **Tech Service**  
Email: [technicalservice@harken.com](mailto:technicalservice@harken.com)
- **Customer Service**  
Tel: (262) 691-3320  
Email: [customerservice@harken.com](mailto:customerservice@harken.com)









## Radial Winch 35.2 PTA

A= drum in anodised aluminium

Pos.	Q.ty	Code	Description
1	1	A 941310 00	Assy Base Winch 35 Winch Serial Number Sticker
2	1	A 941314 00	Assy Skirt Winch 35**
3	1	S 41302 00 04	Gear Z12
4	1	S 41303 00 04	Pawls Carrier Ø8xN2
5	4	S 00008 00 03	Pawl Ø8*
6	4	S 00038 00 01	Pawl Spring Ø8*
7	1	S 41283 00 41	Gear Z23
8	1	S 41300 00 04	Pin ø9x55
9	1	S279090002	Washer 36x9,5x1*
10	1	S 41565 00 04	Ratchet Gear Z18
11	1	S 41285 00 41	Pinion Z13
12	1	S 41312 00 02	Washer Ø22.5xØ45x1*
13	1	S 41307 00 04	Pin ø9-ø12x32.5
14	1	A94130500	Assy Gear Z20
15	1	A94131100	Assy Housing Winch 35
16	6	M0635103	Socket head screw M6x16 UNI 5931*
17	1	S 41315 00 82	Washer Ø62xØ80x1.5*
18	2	A74136000	Bearing Ø56xØ68x24*
19	1	A94151900	Assy Central Shaft W35
20	1	S 41876 00 63	Winch Serial Number Sticker
21	1	S 41514 00 A0	Socket Support PT
22	1	S 41316 00 53	Drum W35
23	1	S 28168 00 97	Red line
24	1	S 41515 00 53	Plain Top W35/40
25	4	M0619580	Ball 3/16"
26	4	M 06037 03	Screw M6x12 UNI 5931
27	1	S 41516 00 53	Cover W35 PT
28	1	S 41522 00 80	PT spacer
29	3	M0600903	Screw M6x20 UNI5931
30	1	A94136400	Assy Socket W20-80 Screw M8x20 UNI 6109* Washer Ø7.7xØ25x5.8* Socket Handle W20/80*

\*Service kit available; see winch kit section on the website [www.harken.com](http://www.harken.com)

\*\*Winch product sticker

